

Bathroom Vanity Top Information and Ordering Instructions



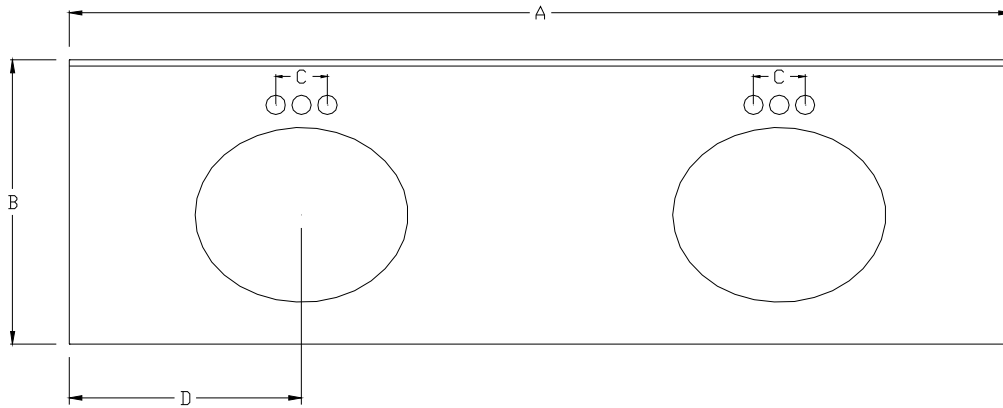
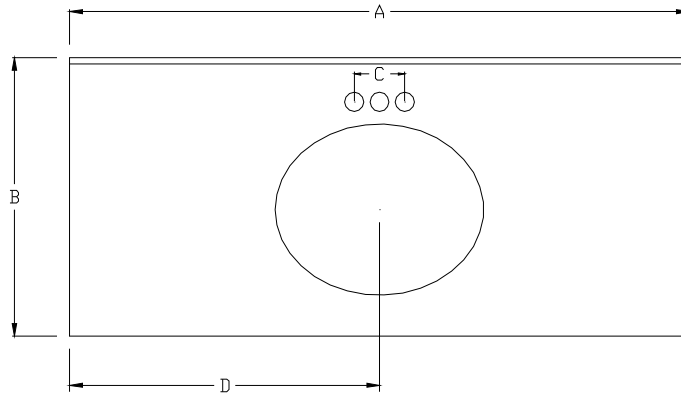
Vanity top information

- The vanity tops are made of half inch 100% acrylic (the same as Corian), are prefinished and ready to install.
- They are available in all standard vanity sizes to 85". Custom widths can be requested by ordering the next larger size and letting us know the final dimensions
- Units come with white porcelain under mount sink(s) with mounting hardware fixed to the underside ready to attach the sink. Sinks are packaged separately in boxes to insure safe delivery.
- The edge is a 1/2" drop edge that is 1" from the top of the vanity surface to the bottom of drop edge. (see pictures below)
- There is a one year limited warranty that covers defective product.
- You can order either a three inch or four inch back/side splash that has to be attached by the purchaser. The back splash comes with the top and is the length of the top.
- Side splashes are 21 1/2" and available for \$30 each.
- Faucet holes are drilled 4" on center *unless* 8" on center or no holes is requested.
- Indicate whether or not you want 1 or 2 sinks.
- You can order units with no sinks or holes which will reduce the price by \$20 and units with a hole and no sink will reduce the price by \$ 11.00.
- The sink will be placed in the center unless you request something different. Indicate where it should be placed by measuring from the right edge (as you face the vanity) to the center of the sink location.
- The top can be set directly on the vanity cabinet with no need for build up strips since the top has a one and a half inch wide strip of 1/2 acrylic glued under the front, back and sides of the top's perimeter.
- There is a lead time of about two weeks between ordering and shipping.
- There is a \$100.00 packing charge per order regardless of the number of tops ordered. You are responsible for freight charges from zip code 41042 to your loading dock or the freight terminal in your area.
- Email sales@solidsurface.com to check that the color is available and what the freight charge will be to your zip code (be sure to include your zip code and whether it is to be delivered to a loading dock or the freight terminal in your area).
- After your questions are answered, and after the "go ahead" from you, SolidSurface.com will request payment from you using Paypal or you may use a credit card.

Note: A \$100 crating fee applies to 1 or more purchases (no additional fee for multiple purchases)

Specifications: The letters (A,B,C,D) correspond to the diagram dimensions below. Then choose your preferred color(s)

Cabinet	A	B	C	D	Builders Choice	Upgrade	Premium	Side Splash
24"	25"	22"	4" or 8"	12.5"	\$194	\$208	\$218	\$30
30"	31"	22"	4" or 8"	15.5"	\$232	\$249	\$260	\$30
36"	37"	22"	4" or 8"	18.5"	\$265	\$284	\$297	\$30
42"	43"	22"	4" or 8"	21.5"	\$301	\$322	\$336	\$30
48"	49"	22"	4" or 8"	24.5"	\$337	\$360	\$376	\$30
60" Single	61"	22"	4" or 8"	15" or 30.5"	\$388	\$416	\$435	\$30
60" Double	61"	22"	4" or 8"	15"	\$458	\$495	\$520	\$30
72" Single	73"	22"	4" or 8"	18" or 36.5"	\$439	\$472	\$494	\$30
72" Double	73"	22"	4" or 8"	18"	\$509	\$551	\$579	\$30
78" Single	79"	22"	4" or 8"	15" or 39.5"	\$472	\$507	\$530	\$30
78" Double	79"	22"	4" or 8"	15"	\$542	\$586	\$615	\$30
84" Single	85"	22"	4" or 8"	15" or 42.5"	\$508	\$545	\$569	\$30
84" Double	85"	22"	4" or 8"	15"	\$578	\$624	\$654	\$30



Builder's Choice



8016
White



9036
Sandstorm



9032
Pumice



9037
High Desert



9040
Mesa Brown

Upgrade



8010
Bone



9130
Cairo



9144
Palermo



7931
Cliffside



7740
Painted Desert



7743
Red Rock



9024
Night Shadow

Premiums

Solids



8024
Crème



8106
Ivory

Dunes



9065
Artica



7810
Malt



9016
Raw Cotton



9038
Driftwood



9033
Biscotti



9010
Stormy Gray



9105
Aspen



9020
Black Lava



9058
River Moss



9061
Lagoon

Dunes (cont.)



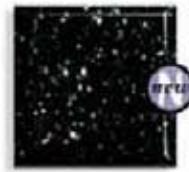
7821
Cavern



9085
Cypress



7830
Bronze



7820
Star Shine



7845
Infinity

Minerals



9117
Kokoura



9116
Juneau



9119
Nordic



9137
Casablanca



9234
Cordoba



9138
Fargo



9154
Olivine



9125
Black Coral

Pediments



7713
Algodon



7921
Boardwalk



7933
El Cajon



7710
Gulf Coast



7932
Quick Sand



7720
Thunder Bay



7730
Meadow Grass



7936
Arroyo



7920
Newcastle



7711
Jurassic



7912
Pinon



7735
Dark Roast



7745
Blue Moon



7940
Good Earth Red

Order Instructions

Copy the order information below to your email, fill in the information and send to sales@solidsurface.com

We also need:

What is your zip code so we can calculate freight _____?

Will you take delivery of the product at your loading dock or the freight terminal/depot in your area _____?

Information for first vanity top configuration:

What size vanity top _____?

What color _____?

How many sinks ___1 or ___2?

Do you want the under mount sink included _____?

If no, do you want a sink hole cutout _____?

Back splash is ___3" or ___4"?

How many side splashes ___0, ___1, ___2?

Faucet holes are ___4" on center, ___8" on center, ___no holes needed?

The sink is to be in the ___center, or the center of the sink is _____inches in from the right side as you face the sink?

How many tops with this configuration _____?

Information for second vanity top configuration:

What size vanity top _____?

What color _____?

How many sinks ___1 or ___2?

Do you want the under mount sink included _____?

If no, do you want a sink hole cutout _____?

Back splash is ___3" or ___4"?

How many side splashes ___0, ___1, ___2?

Faucet holes are ___4" on center, ___8" on center, ___no holes needed?

The sink is to be in the ___center, or the center of the sink is _____inches in from the right side as you face the sink?

How many tops with this configuration _____?

Information for the third vanity top configuration:

What size vanity top _____?

What color _____?

How many sinks ___1 or ___2?

Do you want the under mount sink included _____?

If no, do you want a sink hole cutout _____?

Back splash is ___3" or ___4"?

How many side splashes ___0, ___1, ___2?

Faucet holes are ___4" on center, ___8" on center, ___no holes needed?

The sink is to be in the ___center, or the center of the sink is _____inches in from the right side as you face the sink?

How many tops with this configuration _____?